

# EVR400

## General Information

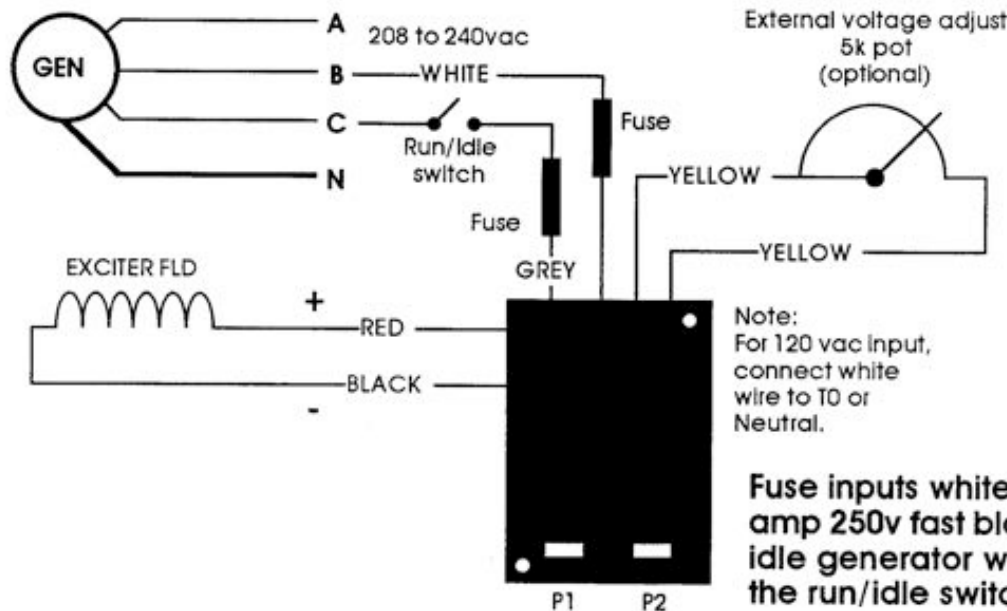
The EVR400 voltage regulator is an encapsulated regulator designed to operate in the harshest environmental conditions such as high vibration, extreme wet, damp and dusty locations. This regulator must be fused externally and is not covered by any repair or replacement warranty.

Voltage input required	100 to 240 vac
Operational output voltage range	.75 to 105 vdc
Maximum operational amperage	4 adc
Minimum field resistance	15 ohms @ 120 vac input 30 ohms @ 240 vac input
Maximum field resistance	100 ohms
Operational frequency range	40 to 80 hz
Regulation accuracy	+/- 1% of voltage setting
Physical size	3.5 x 5 x 1 inches
Total weight	17 ounces
Internal fusing	none
Maximum / minimum kw	unlimited
Minimum residual voltage for build up	3.5 vac @ 60 hz
Voltage response time	1/2 cycle
Voltage sensing	Waveform ( true rms )
Warranty period	none

## INSTALLATION INSTRUCTIONS

1. Connect wiring as shown
2. Turn internal pots fully clockwise (L)
3. Bring generator up to rated speed
4. Turn on run/idle switch
5. Adjust line voltage to desired rating  
If voltage is pulsating, adjust P2 clockwise (R) until voltage is steady. Keep voltage within range with P1.
6. Place unit on line and observe voltage.

## WIRING HOOKUP



Manufactured by:

**Power-Tronics, Inc.**

P.O. Box 1509, Kerrville Texas 78029-1509

Call: 830 895 4700 Email: pwrtron@kvc.com Internet: pwrtron.com